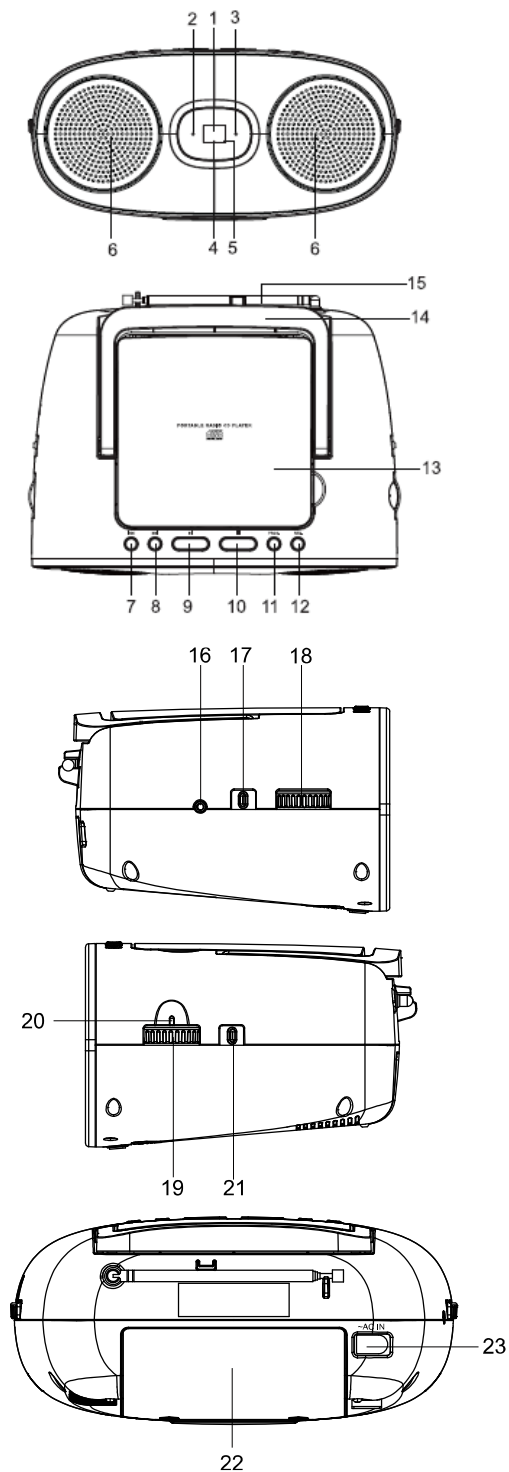


**User Manual**  
**PORTABLE RADIO CD PLAYER**  
**RD306/ RD306BL/ RD306R/ RD306W**

Read the instructions carefully before operating the unit.

**LOCATION AND DESCRIPTION OF CONTROLS**



1. LED display
2. ON indicator
3. Program indicator (PROG.)

4. Repeat indicator (**REP.**)
5. ►|| Play/ Pause indicator
6. Speakers
7. ◀◀ SKIP button
8. ▶▶ SKIP button
9. ►|| PLAY/ PAUSE button
10. ■ STOP button
11. PROGRAM button (**PROG.**)
12. REPEAT button (**REP.**)
13. CD compartment
14. Carrying handle
15. FM telescopic antenna
16. **AUX IN** jack
17. Function selector (CD/AUX, RADIO, Unit ON/OFF)
18. Volume control
19. TUNING knob with dial scale
20. Dial pointer
21. Band selector (**FM/MW**)
22. Battery compartment
23. AC socket (~ **AC IN**)

## **POWER SUPPLY**

This set operates on AC 230V~ 50Hz or 6 x 1.5V R14/ UM-2/ "C" size batteries (not provided).

## **AC OPERATION**

Connect the detachable AC cord (included) to the AC socket on the rear of the unit. Insert the AC power cord into a convenient standard AC wall outlet.

## **DC OPERATION**

Install the batteries in their compartment. Use only the size and type of batteries specified. Respect the polarity indicated in the compartment. Improper polarity can cause damage to the device. Do not attempt to recharge the batteries, they can catch fire or explode. The batteries need to be replaced when: The volume decreases, or sound is distorted during operation. In order to avoid leakage, remove the batteries when unit will not be used for a long period of time.

**CAUTION:** Danger of explosion if batteries are incorrectly replaced. Replace only with the same or equivalent type.

## **Note:**

- The AC cord must be unplugged from both the socket on the unit and the power outlet for the unit to run on the batteries.
- When the set is connected to the mains, the power source automatically switches to AC.
- In a concern of saving energy, when playback has reached to the end or not playing, the unit will automatically turn off after 10 minutes. To reset the unit, slide the Function switch to OFF position. Wait a few seconds and then turn ON the unit again.

## TURNING UNIT ON/OFF

1. Slide the Function switch to **CD/AUX** or **RADIO** position to turn on the unit. The ON indicator will light up.
2. Slide the Function switch to **OFF** position to turn off the unit. The ON indicator will turn off.

## LISTENING TO THE RADIO

1. Slide the Function switch to **RADIO** position.
2. Slide the Band switch to select between FM and MW band.
3. Use the **TUNING** control to tune to your desired radio station.
4. Adjust the volume level.

To enhance radio reception ability:

FM: Extend the telescopic antenna.

MW: Rotate the unit horizontally for optimum reception.

## LISTENING TO CD

1. Slide the function switch to **CD/AUX** position. The ON indicator will light up.
2. Open the CD door. Insert a CD with label facing up and close the CD door. After a few seconds, the total number of tracks will show on display.
3. Press **▶II** to start playback. The current track number will show on display. The **▶II** indicator will light up.

## PLAY/PAUSE

To temporarily stop playing, press **▶II** button. The **▶II** indicator will flash.

To resume play, press this button again.

## STOP

If the **■** button is pressed in the course of playing, the disc will cease to play. (Total number of tracks will show on display).

## SKIP AND SEARCH

You can always skip forward or backward to your desired track number by pressing the SKIP(**◀◀▶▶**) buttons. When playing any audio CD, press and hold the SKIP button. The CD will search at high speed in the forward or backward direction. Normal play will continue when you release the button.

## REPEAT

To repeat the track currently playing, press the **REP.** button once. The repeat indicator will flash.

To repeat all tracks, press the **REP.** button twice. The REPEAT indicator will light up and stay lit.

To cancel the repeat function, press **REP.** button again. The repeat indicator will turn off.

## PROGRAM

1. In stop mode, press **PROG** button. "01" will flash on display.
2. Press **◀◀▶▶** to select a desired track and press **PROG** button to conform. The program indicator will flash in the course of programming.
3. Repeat above steps to program up to 20 tracks.
4. Press **▶II** button to start program playback. The program indicator will light up and stay lit.
5. To cancel program playback, press **■** button twice. The program indicator will turn off.

If you encounter CD playback problem, either of the following ways may help:

1. Turn off the unit. Disconnect the AC power cord from AC outlet and reconnect it again.
2. Clean your CD disc.

### **CONNECTING AUXILIARY SOURCE**

1. Slide the Function switch to **CD/AUX** position. Connect your auxiliary source (e .g. mp3 player) to the **AUX IN** jack on the unit (cable not included). The unit will switch to AUX mode automatically.
2. Start playback from your auxiliary source.
3. Adjust the volume to desired level.
4. To stop playback, disconnect your auxiliary source from the **AUX IN** jack.

Note: Once the audio cable is disconnected from the AUX IN jack, the unit will switch to CD mode automatically.

### **MAINTENANCE**

#### **Cleaning**

**WARNING:** Disconnect the unit from the mains supply before cleaning.

- Use a soft, dry, clean cloth. Regularly dust the vents at the back or sides.
- Using solvents, abrasive or alcohol-based products risks damaging the appliance.
- If an object or liquid enters inside the appliance, unplug it immediately and have it checked by an authorized engineer.

#### **Notes on disc**

- \* Do not use irregular shape CDs (example: heart-shaped, octagonal ones). It may result in malfunctions.
- \* Do not place more than one disc in the disc compartment.
- \* Do not try to open the disc compartment during playing.
- \* Do not touch the lens. Doing so may cause malfunction.
- \*If there is a scratch, dirt or fingerprints on the disc, it may cause tracking error. Before playing, clean the disc with a cleaning cloth. Wipe the disc from the center out. Don't store discs in places with high temperatures or high humidity, they can become warped. After playing, store the disc in its case.

#### **Important Note**

- Before transporting the unit, remove the disc from the disc compartment.

### **TECHNICAL SPECIFICATIONS**

POWER SUPPLY: AC 230V~50Hz, 14W consumption  
DC 9V 6x1.5V, battery type R14/UM-2/ "C" size (not provided)

#### **RADIO SECTION:**

FM 88-108 MHz  
MW 540-1600 kHz

#### **CD PLAYER SECTION:**

FREQUENCY RESPONSE : 100Hz -20kHz  
SIGNAL- TO – NOISE RATIO: 40dB

**AUX IN SECTION :** 3.5mm AUX jack

Note: Design and specification are subject to change without notice.

Hereby, NEW ONE S.A.S, declares that this NEWONE RD306/ RD306BL/ RD306R/ RD306W is in compliance with the essential requirements and other relevant provisions of Directive 2014/53/EU. The declaration of conformity may be consulted at [www.new-one.com](http://www.new-one.com)

### IMPORTANT SAFETY INSTRUCTION



**CAUTION:** To reduce the risk of electric shock, do not open the device, there is no party inside for the user. Refer all servicing to qualified personnel.



The lightning with the arrow symbol in the triangle is a warning sign alerting the user to "dangerous voltage" inside the unit.



The exclamation point in the triangle is a warning sign alerting the user of important instructions accompanying the product.

The caution mark is located on bottom of the device.

### WARNING: TO PREVENT FIRE OR SHOCK HAZARD, DO NOT EXPOSE THIS APPLIANCE TO RAIN OR MOISTURE.

CAUTION: Invisible laser radiation when open and interlocks defeated. Avoid exposure to beam. This compact disc player is classified as a CLASS 1 LASER product. The CLASS 1 LASER PRODUCT marking is located on the bottom cabinet.



CLASS 1 LASER PRODUCT  
PRODUCTO LÁSER CLASE 1  
PRODUIT LASER DE CLASSE 1

### IMPORTANT

- The use of apparatus in moderate climates.
- The Marking plate is located at the back of the device.
- Make sure to have a minimum distance of 5 cm around the unit for sufficient ventilation.
- Ensure that the ventilation openings is not covered with items such as newspapers, tablecloths, curtains, etc.
- Do not place naked flame sources, such as lighted candles on the apparatus.
- Do not expose this appliance to dripping or splashing water.
- Do not place objects filled with liquids, such as glass, vase on the device.
- Do not throw batteries into fire! Respect the environment when disposing of used batteries.
- Batteries should not be exposed to excessive heat such as sunshine, fire or other similar heat source.
- The power plug is used as a disconnect device and must be easily accessible. To be completely disconnected from the power, the plug of the appliance should be disconnected completely. The socket must not be obstructed and should be easily accessible during intended use.
- Under the influence of fast transient and / or electrostatic electric phenomenon, the product may malfunction and the user must perform a power reset of the device
- Before throwing any batteries away, consult your distributor who may be able to take them back for specific

recycling.



■ If in the future, you need to get rid of this product, please note that Waste electrical products should not be disposed of with household waste. Recycling facilities exist. Check with your municipality or ask your dealer for advice. (Directive for Waste Electrical and Electronic Equipment)

