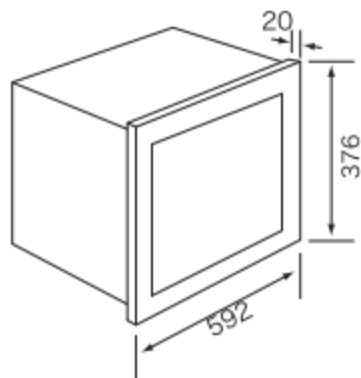
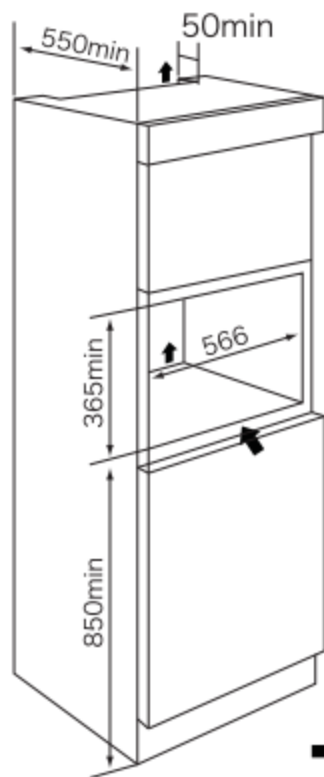


Dimension chart



➔ airflow Unit:mm

