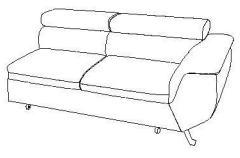

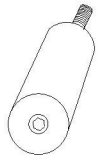

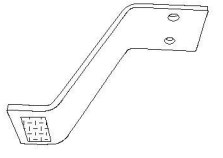
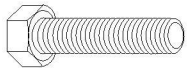
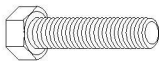


|                                                                                                                     |                                                                                                                      |                                                                                                            |                                                                                                              |                                                                                                              |
|---------------------------------------------------------------------------------------------------------------------|----------------------------------------------------------------------------------------------------------------------|------------------------------------------------------------------------------------------------------------|--------------------------------------------------------------------------------------------------------------|--------------------------------------------------------------------------------------------------------------|
| <b>A</b><br><br><b>1X</b>           | <b>B</b><br><br><b>1X</b>           | <b>C</b><br><br><b>5X</b> | <b>D</b><br><br><b>2X</b> | <b>E</b><br><br><b>4X</b> |
| <b>F</b><br><br>M 8/60<br><b>4X</b> | <b>G</b><br><br>M 8/40<br><b>4X</b> |                                                                                                            |                                                                                                              |                                                                                                              |

