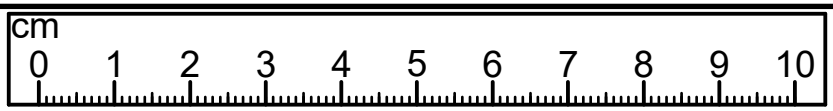
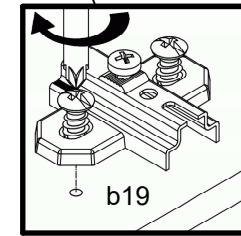
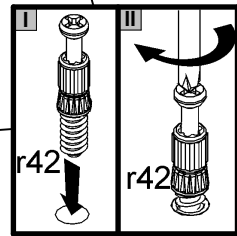
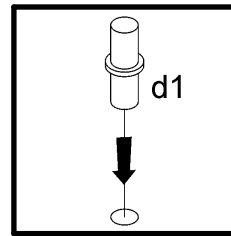
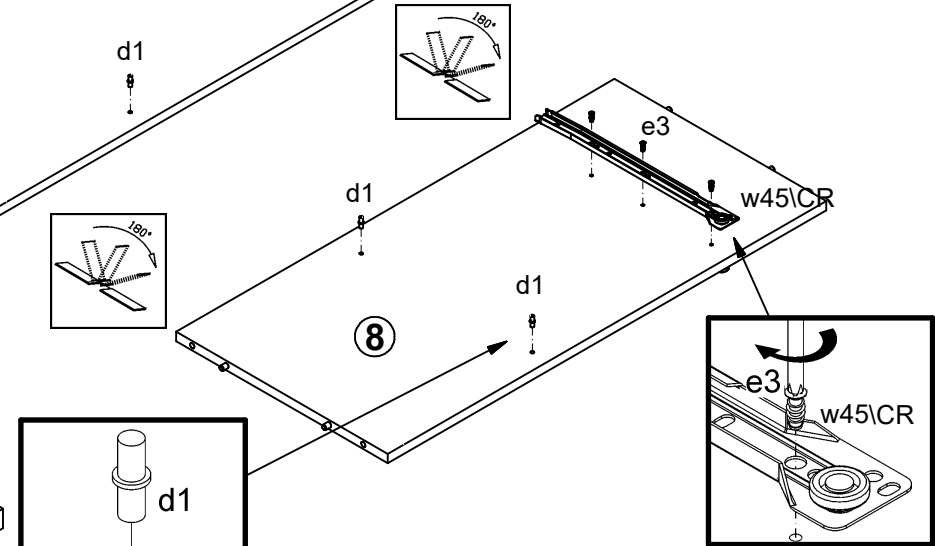
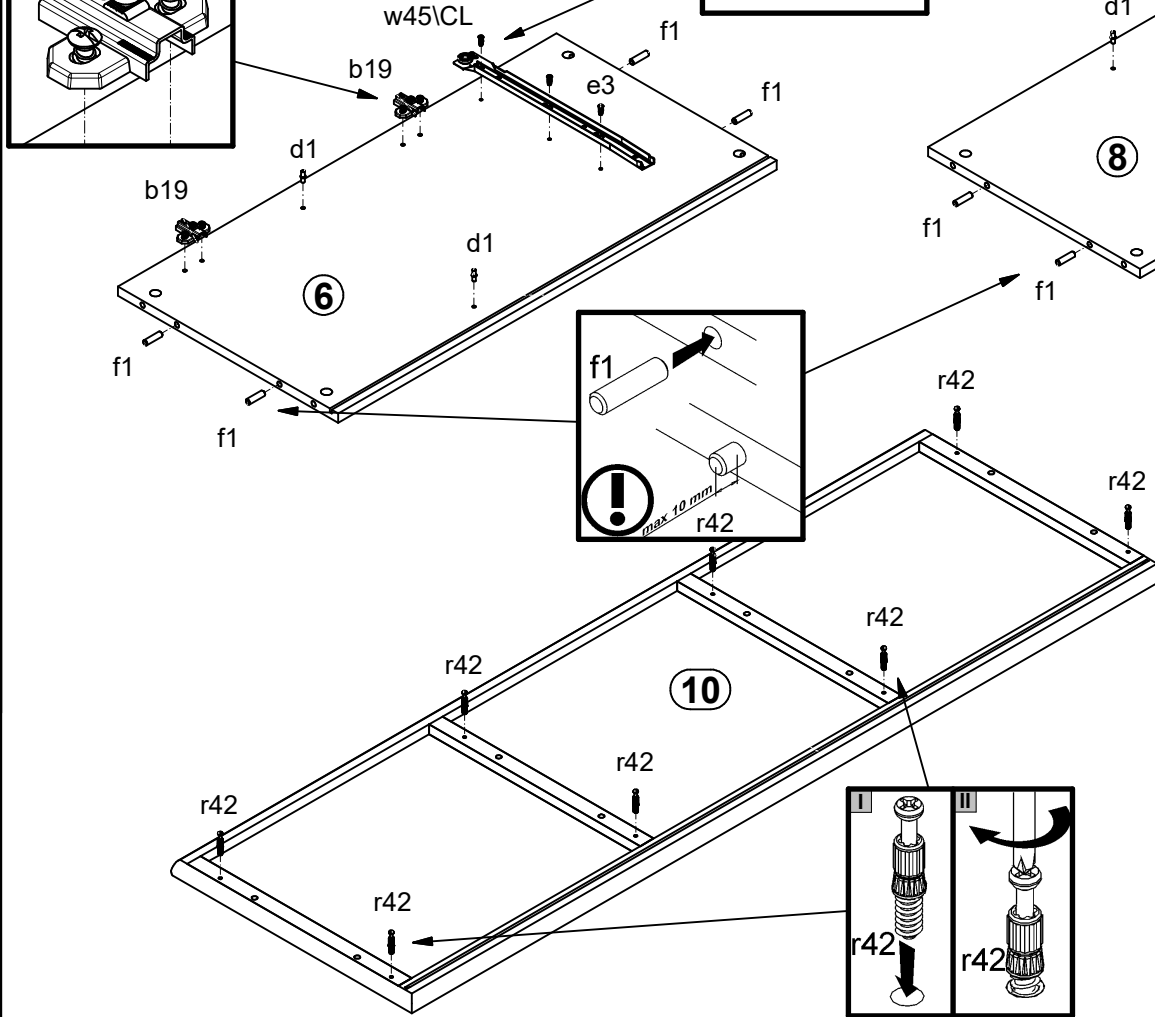
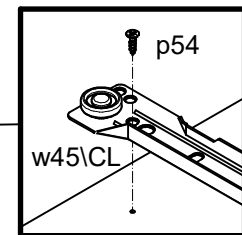
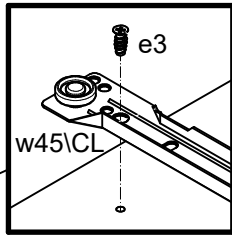
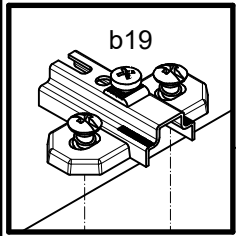


A	B	C (mm)	D
1	S331-008	460	200
2	S331-009	460	200
3	S331-010	460	200
4	S331-011	608	460
5	S331-012	608	460
6	S331-110	820	412
7	S331-111	820	412
8	S331-112	820	396
9	S331-113	820	396
10	S331-207	1394	450
11	S331-208	1394	433
12	S331-308	448	390
13	S331-309	441	390
14	S331-908	830	464
15	S331-909	830	454
16	S331-910	422	355
17	S331-911	415	355
18	ZS3-5641	393	140
19	ZS3-5642	400	140
20	ZS4-531	350	140
21	ZS4-532	350	140




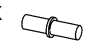

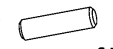





4x a44	2x a68	6x b19	6x c474 160 mm	12x d1 Ø5x17 mm	12x e3 Ø6x13 mm	12x e19 Ø5x9 mm	16x f1 Ø8x30 mm	6x f9 Ø6x30 mm	12x f25 Ø6.5x40 mm	6x k43	40x l1	20x l2
6x o21 silikon	12x p9 Ø4x30 mm	12x p38 Ø3.5x16 mm	12x p51 Ø3.5x15 mm	6x p54 Ø3x12 mm	16x r1 Ø15x12 mm #16	12x r15 Ø12x10.5 mm #12	28x r42 20/11	12x s2 Ø16	3x w45\CL 350 mm	3x w45\CR 350 mm	3x w45\DL 350 mm	3x w45\DR 350 mm

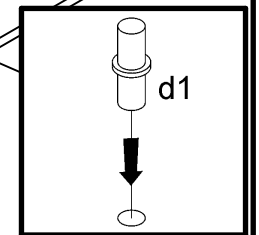
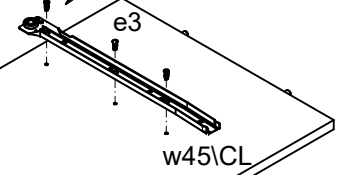
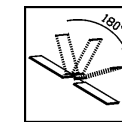
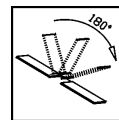
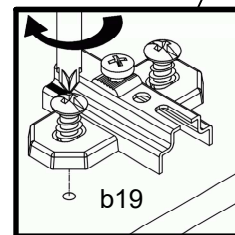
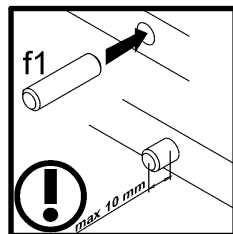
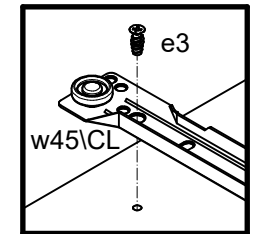
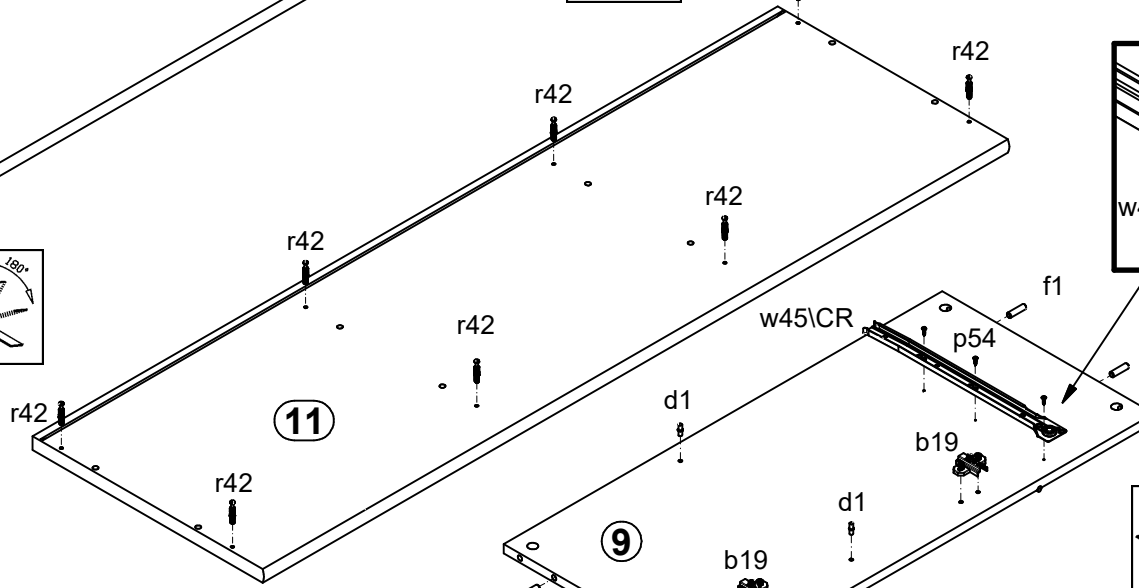
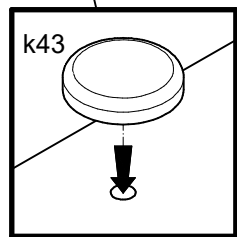
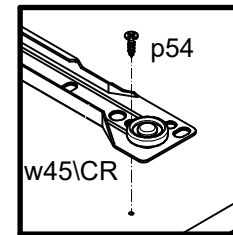
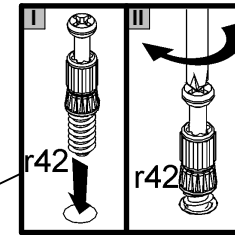
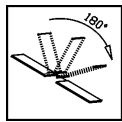
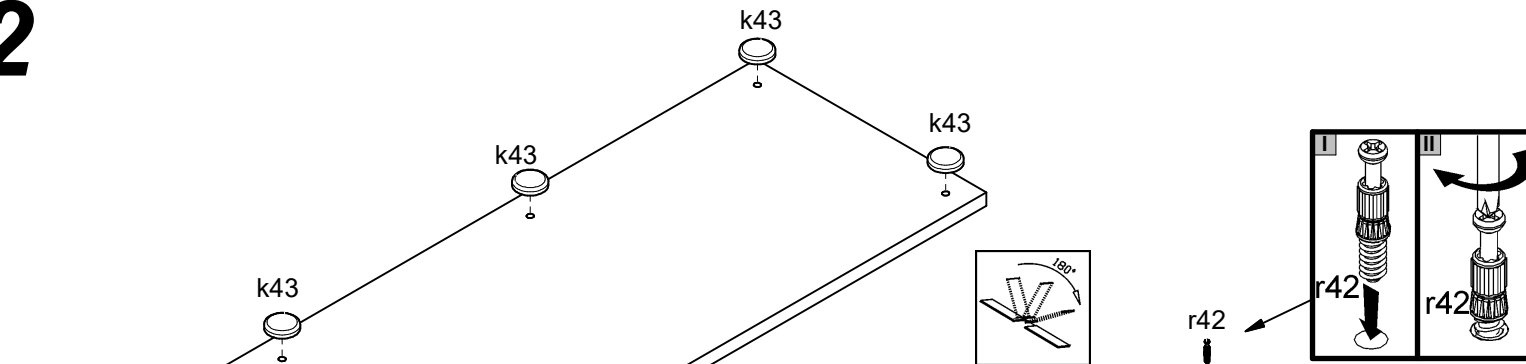
1



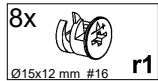
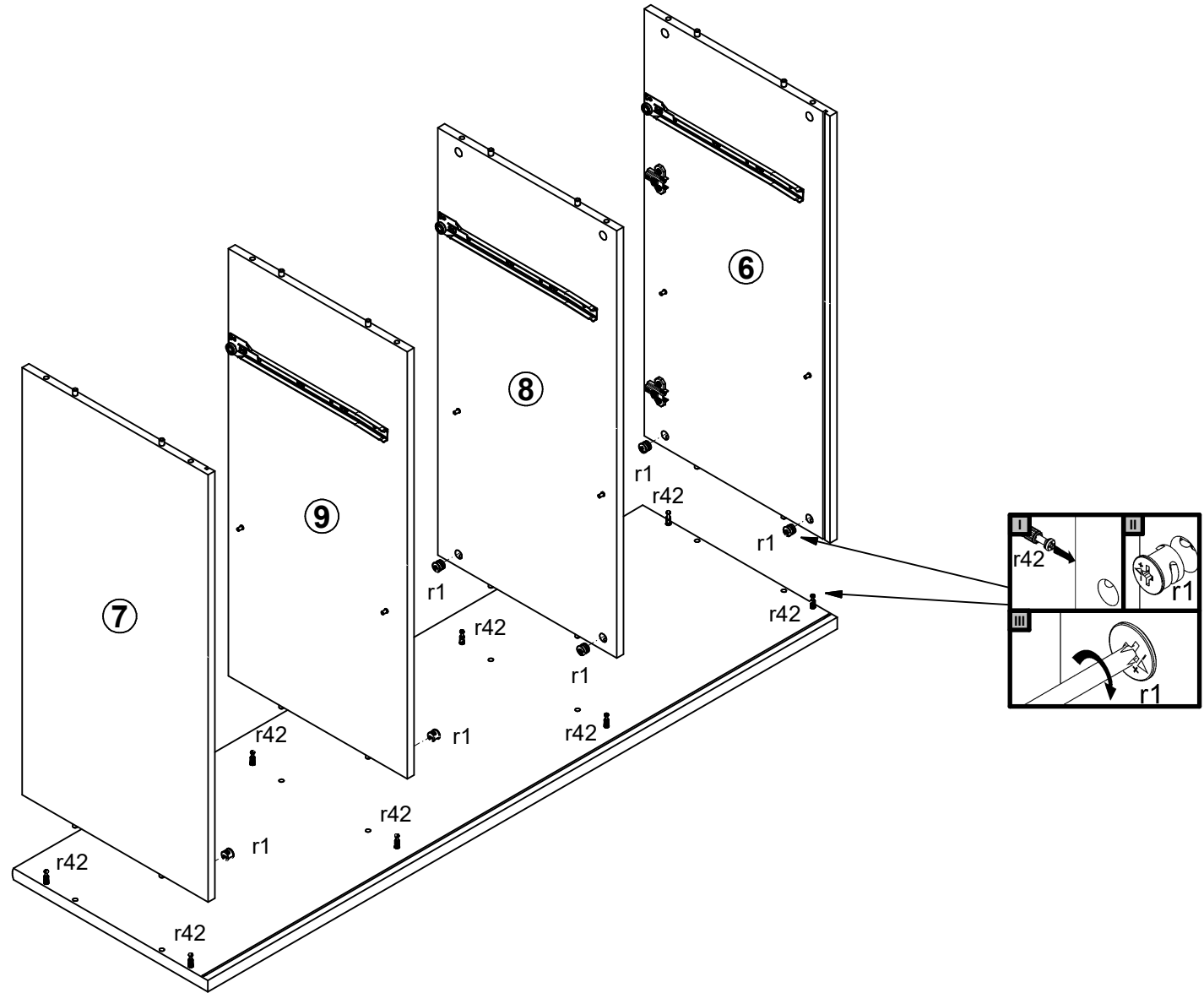
- 4x b19
- 8x d1 $\varnothing 5 \times 17 \text{ mm}$
- 9x e3 $\varnothing 6 \times 13 \text{ mm}$
- 12x f1 $\varnothing 8 \times 30 \text{ mm}$
- 3x p54 $\varnothing 3 \times 12 \text{ mm}$
- 8x r42 $\varnothing 8 \times 20 / 11$
- 2x w45\CL 350 mm
- 2x w45\CR 350 mm

2

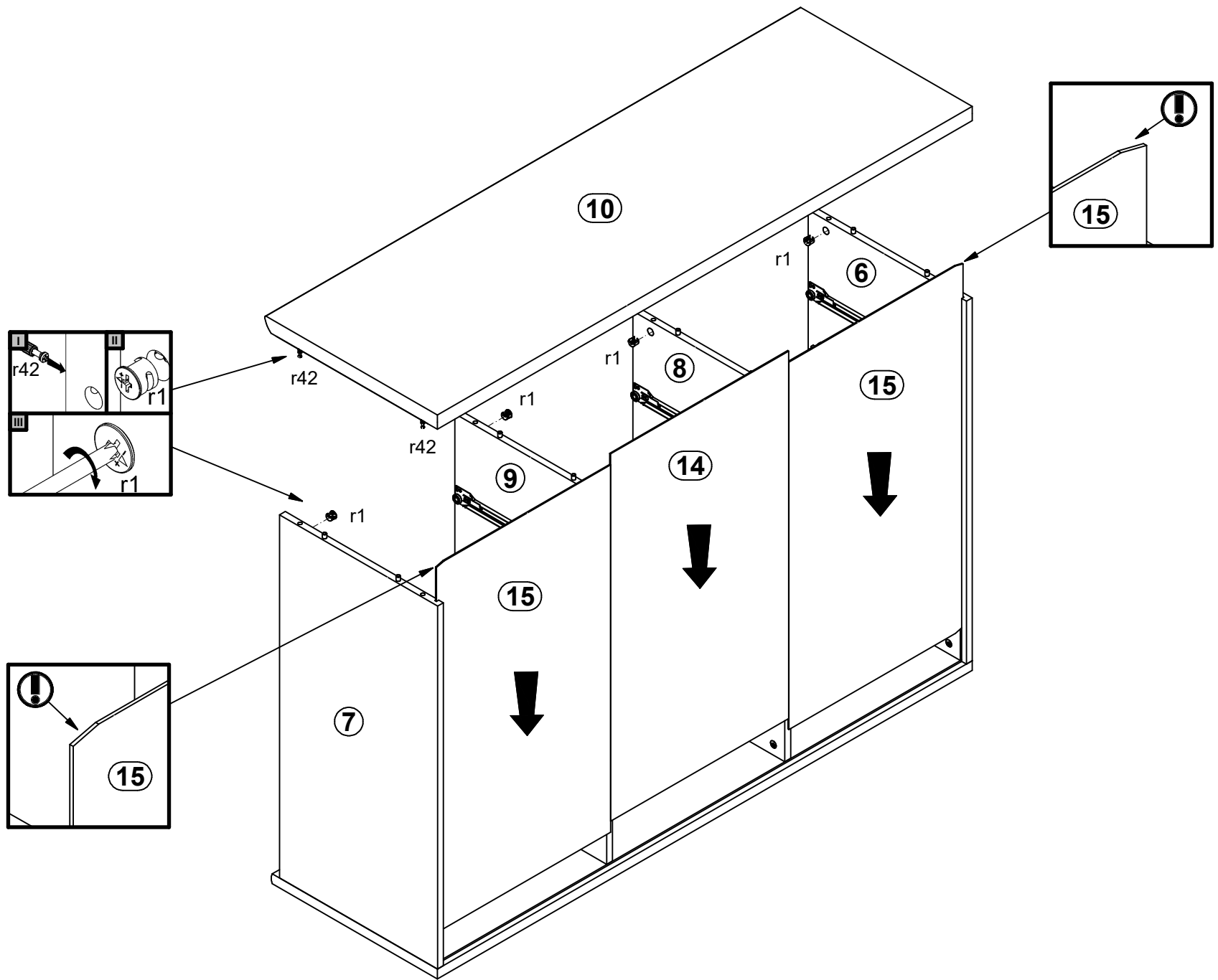
2x  b19	4x  Ø5x17 mm d1	3x  Ø6x13 mm e3
4x  Ø8x30 mm f1	6x  k43	3x  Ø3x12 mm p54
8x  20/11 r42	1x  350 mm w45\CL	1x  350 mm w45\CR




3

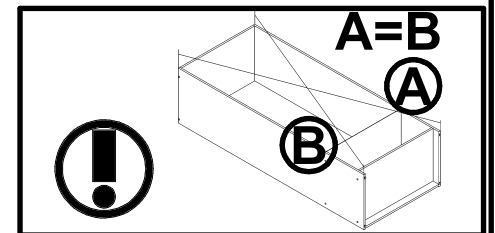
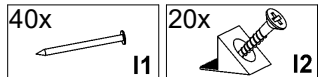
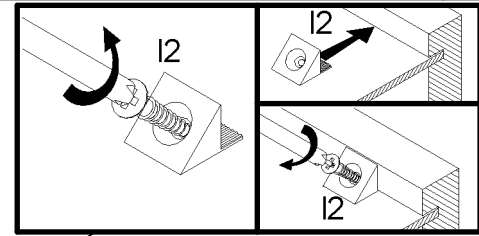
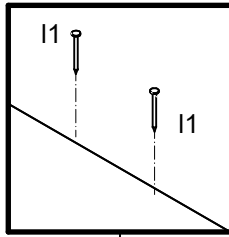
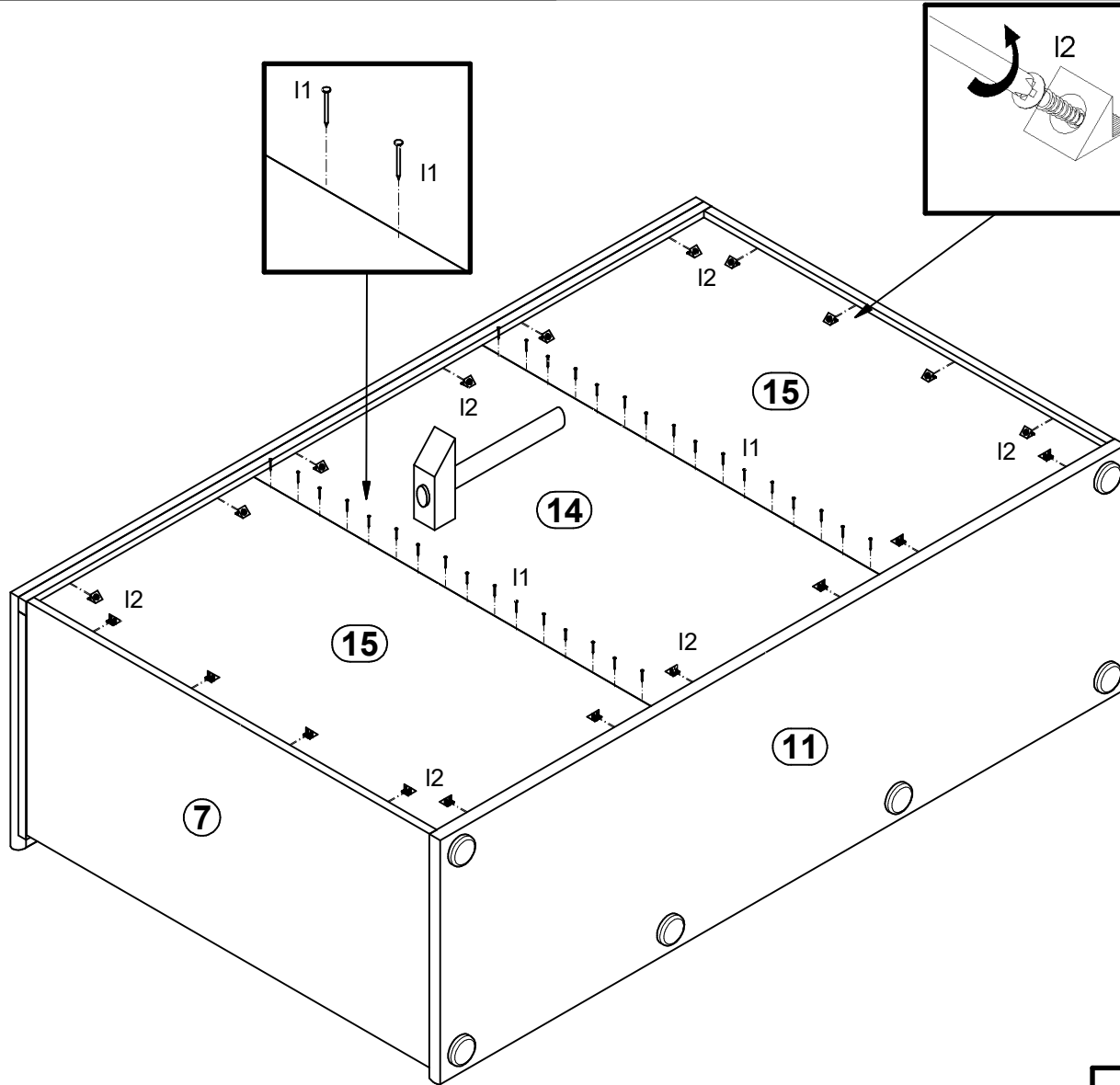


4

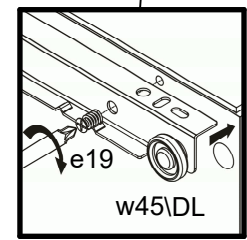
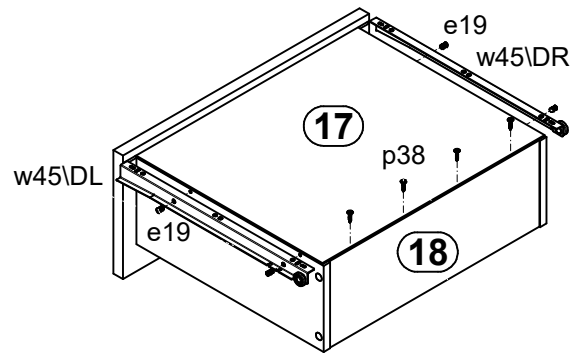
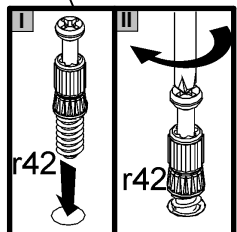
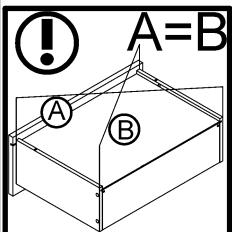
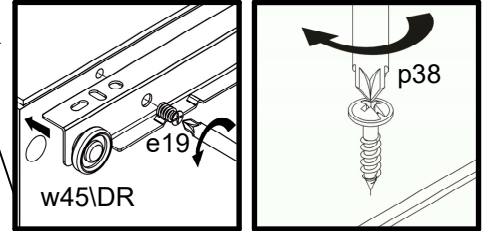
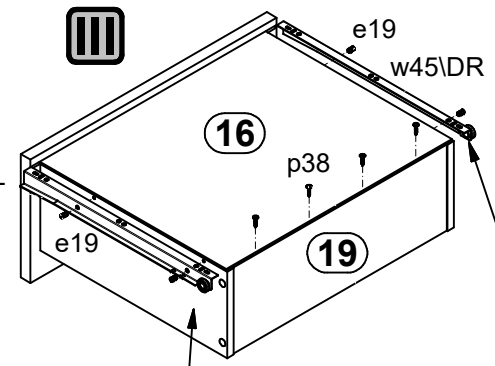
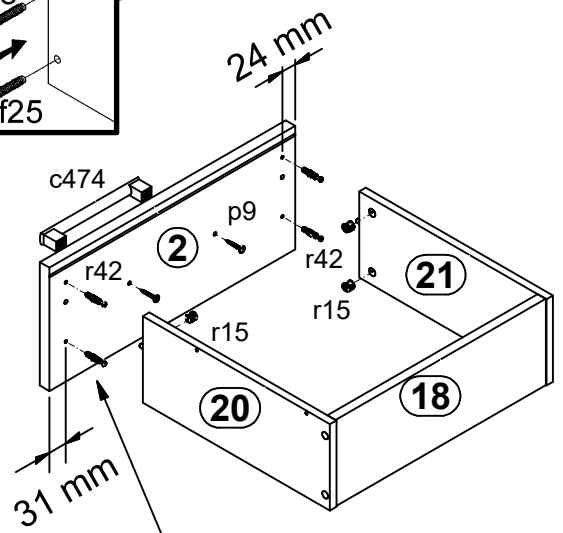
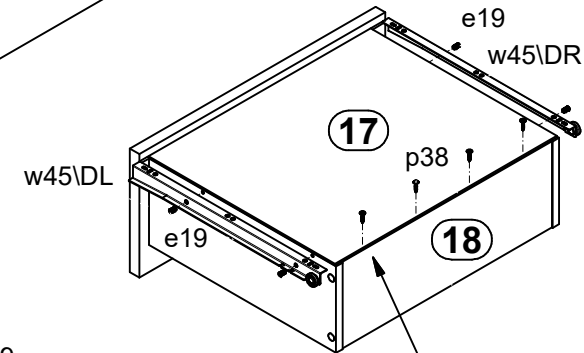
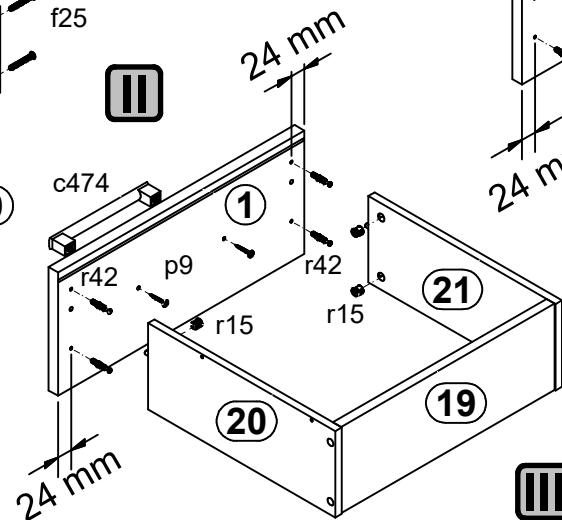
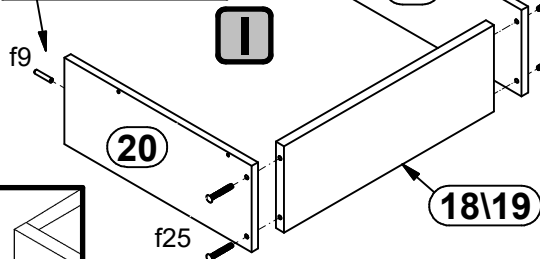
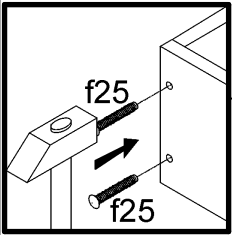
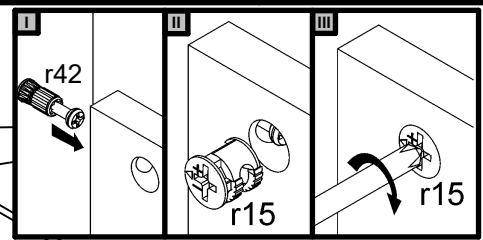
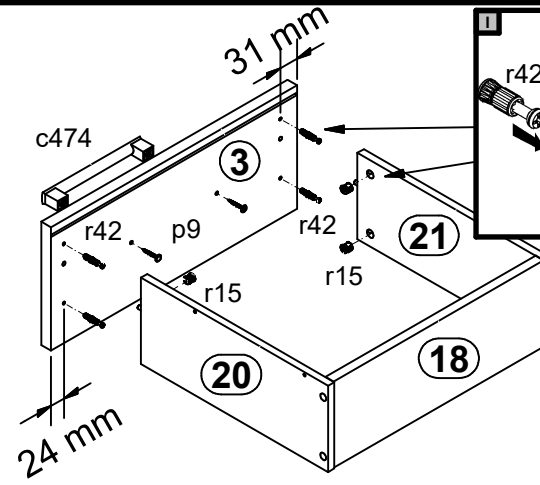
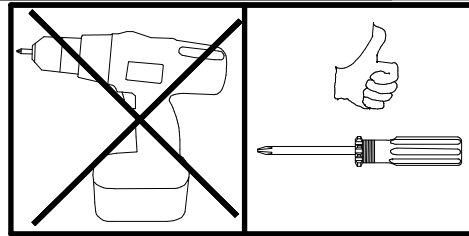
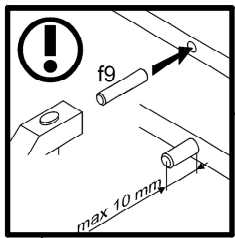


8x  $\varnothing 15 \times 12$ mm #16 r1

5

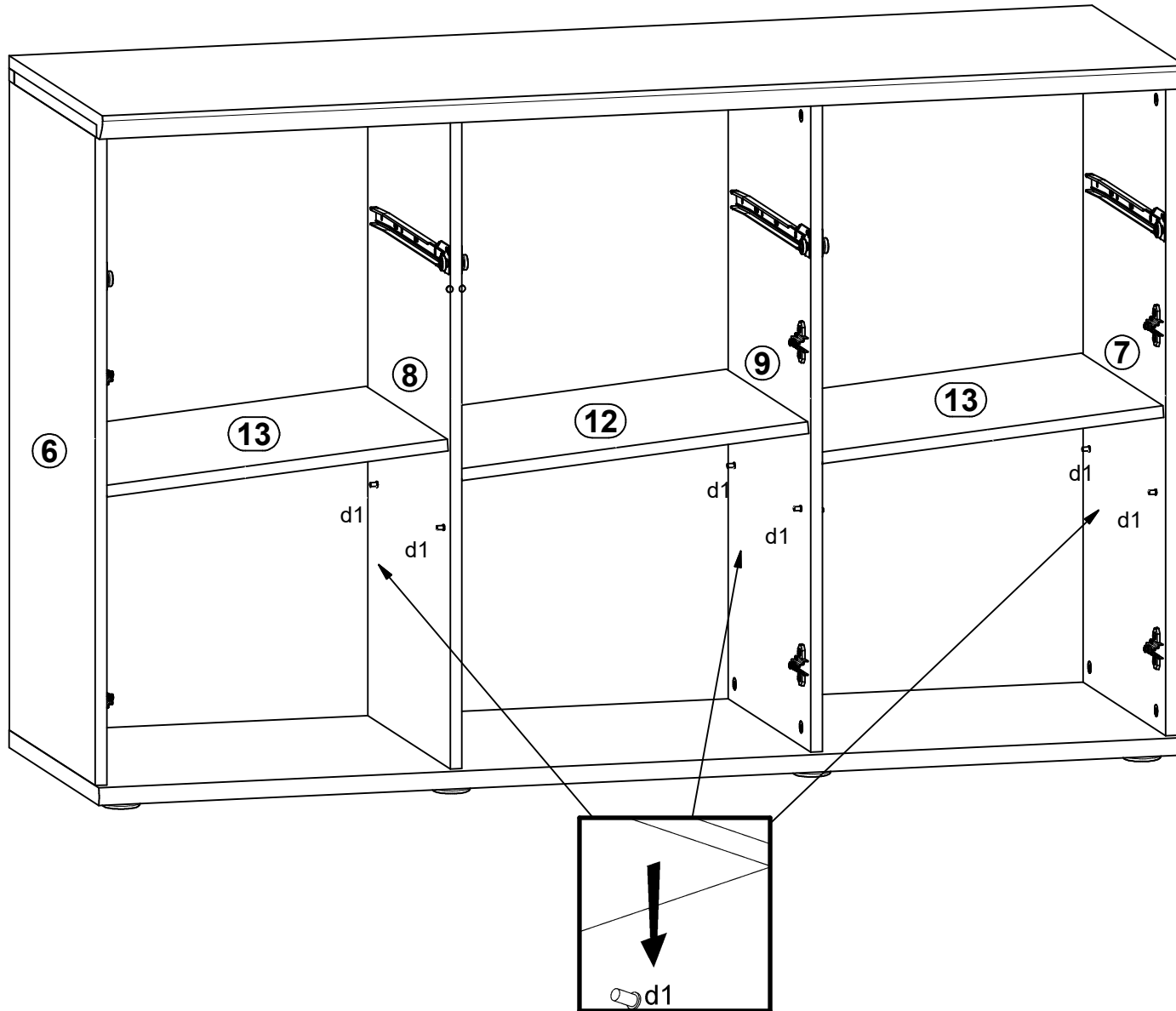


6

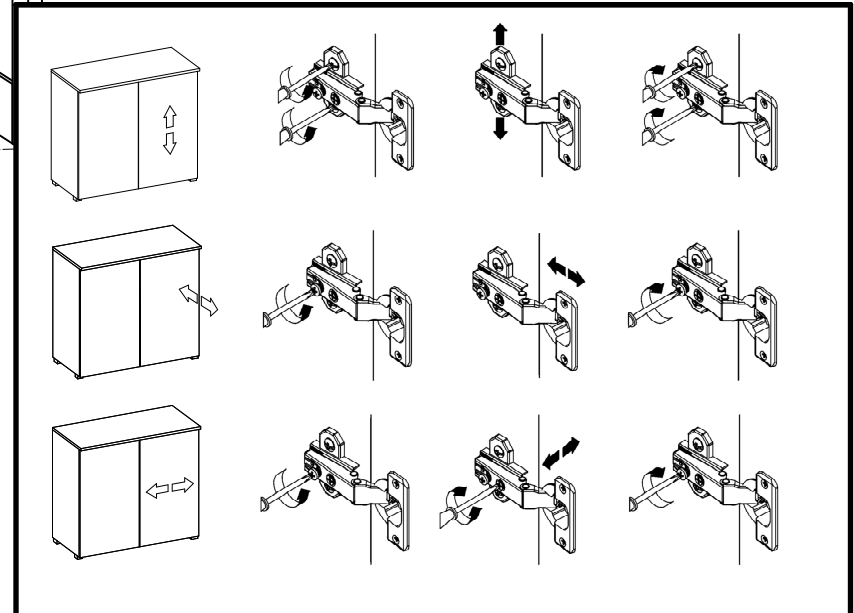
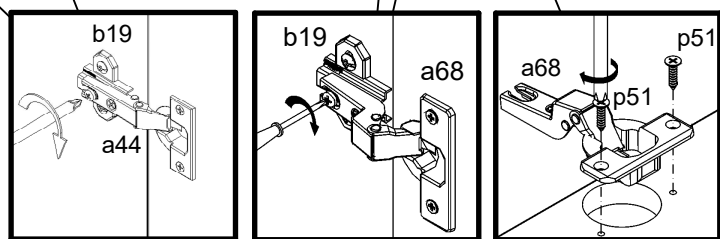
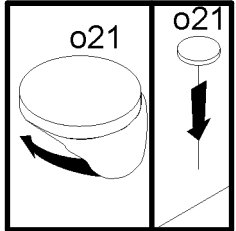
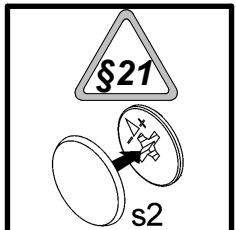
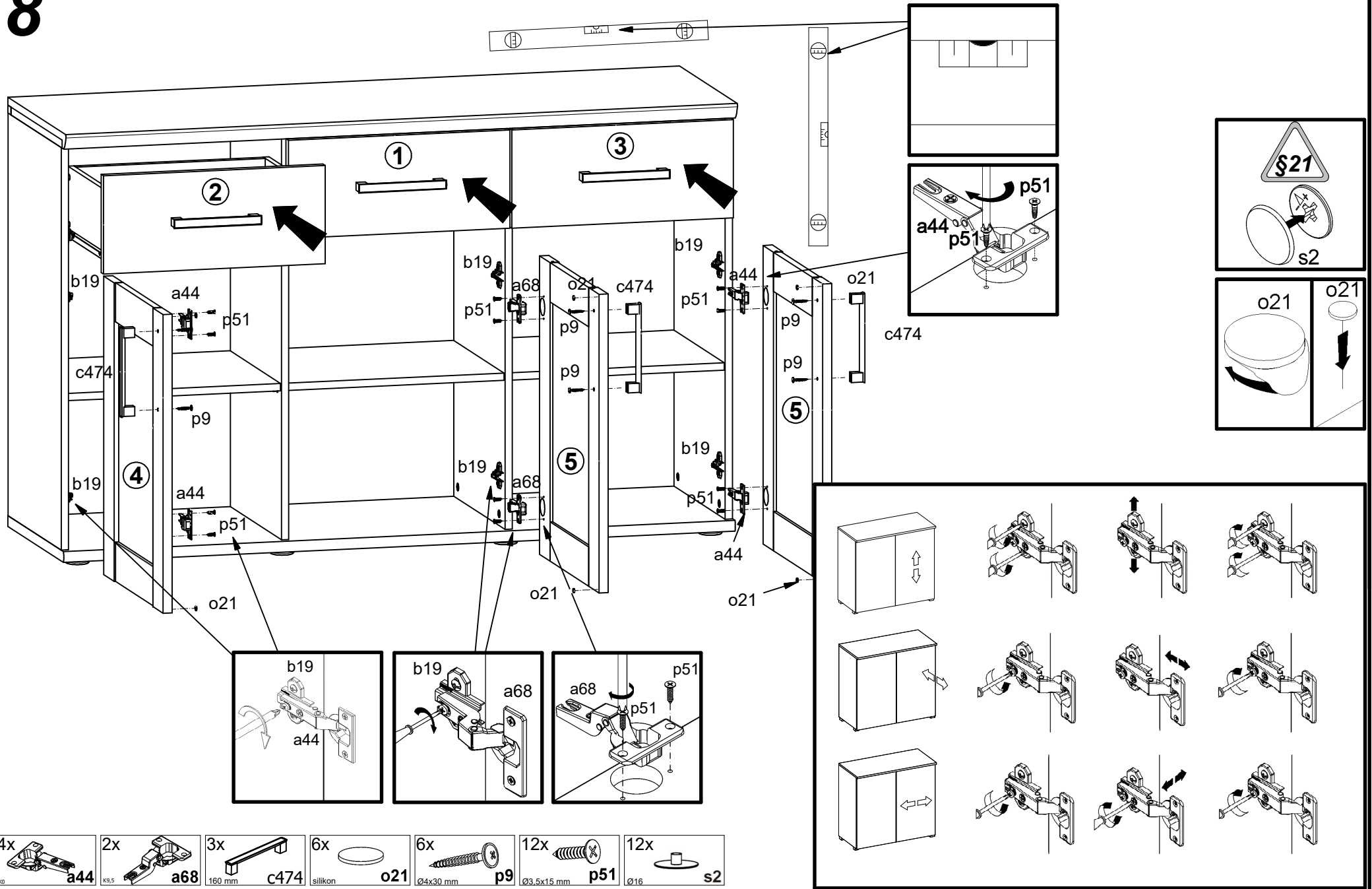





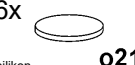



- | | | |
|-----------------------|------------------------|-------------------------------|
| 12x
Ø5x9 mm
e19 | 6x
Ø6x30 mm
f9 | 12x
Ø6,5x40 mm
f25 |
| 3x
160 mm
c474 | 6x
Ø4x30 mm
p9 | 12x
Ø12x10,5 mm #12
r15 |
| 12x
20/11
r42 | 3x
350 mm
w45\DL | 3x
350 mm
w45\DR |

7



8



- 4x  a44
- 2x  a68
- 3x  c474
- 6x  silikon o21
- 6x  Ø4x30 mm p9
- 12x  Ø3,5x15 mm p51
- 12x  Ø16 s2